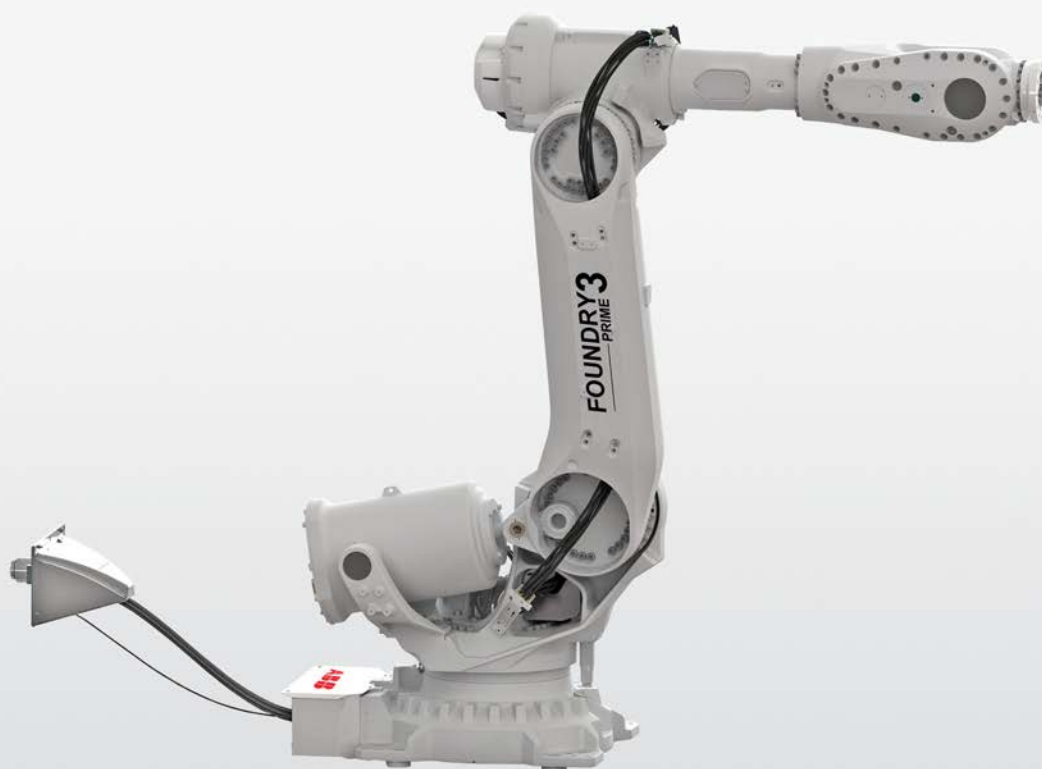


ROBOTICS

Product manual, spare parts

IRB 6790



Trace back information:
Workspace 23C version a8
Checked in 2023-09-21
Skribenta version 5.5.019

Product manual, spare parts

IRB 6790 - 235/2.65

IRB 6790 - 205/2.80

IRC5

Document ID: 3HAC064429-001

Revision: J

The information in this manual is subject to change without notice and should not be construed as a commitment by ABB. ABB assumes no responsibility for any errors that may appear in this manual.

Except as may be expressly stated anywhere in this manual, nothing herein shall be construed as any kind of guarantee or warranty by ABB for losses, damage to persons or property, fitness for a specific purpose or the like.

In no event shall ABB be liable for incidental or consequential damages arising from use of this manual and products described herein.

This manual and parts thereof must not be reproduced or copied without ABB's written permission.

Keep for future reference.

Additional copies of this manual may be obtained from ABB.

Original instructions.

© Copyright 2018 - 2023 ABB. All rights reserved.
Specifications subject to change without notice.

Table of contents

Overview of this manual	7
Product documentation	9
1 Definition of spare part levels	11
2 Spare parts - Electrical parts	13
3 Spare parts - Upper arm (axis 3-4)	17
4 Spare parts - Wrist	19
5 Spare parts - Lower arm	21
6 Spare parts - Balancing device	23
7 Spare parts - Frame and base	27
8 Spare parts - Motors	31
8.1 Axis-1 motor (including pinion)	31
8.2 Axis-2 motor (including pinion)	32
8.3 Axis-3 motor (including pinion)	33
8.4 Axis-4 motor (including pinion)	34
8.5 Axis-5 motor (including pinion)	35
8.6 Axis-6 motor (including pinion)	36
9 Spare parts - Gearboxes	37
9.1 Gearbox axis-1	37
9.2 Gearbox axis-2	38
9.3 Gearbox axis-3	39
9.4 Gearbox axis-6	40
10 Spare parts - Over pressure unit/Interface plate	41
11 Spare parts - Calibration items	43
12 Spare parts - Options	45
13 Service and wear parts	47
13.1 Service parts	47
13.2 Wear parts	49
13.3 Consumables	50

This page is intentionally left blank

Overview of this manual

About this manual

This manual contains spare parts for:

- IRB 6790

Usage

This manual shall be used as a complement to the product manual for IRB 6790 during:

- maintenance work
- repair work.

Who should read this manual?

This manual is intended for:

- maintenance personnel
- repair personnel.

Prerequisites

A maintenance/repair/installation personnel working with an ABB Robot must:

- be trained by ABB and have the required knowledge of mechanical and electrical installation/repair/maintenance work.

References

Reference	Document ID
<i>Product manual - IRB 6790 Foundry Prime</i>	<i>3HAC063331-001</i>
<i>Operating manual - IRC5 with FlexPendant</i>	<i>3HAC050941-001</i>
<i>Technical reference manual - Lubrication in gearboxes</i>	<i>3HAC042927-001</i>

Revisions

Revision	Description
A	First edition
B	Published in release R19D. The following updates are made in this revision: <ul style="list-style-type: none"> • Corrected the spare part number for the axis-2 motor.
C	Published in release R20A. The following updates are made in this revision: <ul style="list-style-type: none"> • Corrected spare part numbers: <ul style="list-style-type: none"> - o-rings on motor connection boxes and motor covers - cable guide on upper arm
D	Published in release R21C. The following updates are made in this revision: <ul style="list-style-type: none"> • New spare part numbers due to updated coating. • Activator number 3HAC064686-001 is changed to 3HAC073342-001. • Consumable and wear parts added. • Desiccant bag added as spare part.
E	Published in release R22B. The following updates are made in this revision: <ul style="list-style-type: none"> • O-rings with article number added for magnetic plugs G½ and G¼.

Continues on next page

Overview of this manual

Continued

Revision	Description
F	Published in release R22D. The following updates are made in this revision: <ul style="list-style-type: none">• Corrected spare part number.• Change harness 3HAC061214-004 to -001 and remove text for the screw.• New design on link ear bearings• Illustration and partslist changed for balancing piston set.
G	Published in release R23A. The following updates are made in this revision: <ul style="list-style-type: none">• Updated the article number for Touch up paint kit
H	Published in release R23B. The following updates are made in this revision: <ul style="list-style-type: none">• Updated the spare parts list with velcro strap.• Updated the spare parts list with gasket.
J	Published in release R23C. The following updates are made in this revision: <ul style="list-style-type: none">• Corrected the spare parts list and duplicates of SMB-gasket cover.

Product documentation

Categories for user documentation from ABB Robotics

The user documentation from ABB Robotics is divided into a number of categories. This listing is based on the type of information in the documents, regardless of whether the products are standard or optional.



Tip

All documents can be found via myABB Business Portal, www.abb.com/myABB.

Product manuals

Manipulators, controllers, DressPack, and most other hardware is delivered with a **Product manual** that generally contains:

- Safety information.
- Installation and commissioning (descriptions of mechanical installation or electrical connections).
- Maintenance (descriptions of all required preventive maintenance procedures including intervals and expected life time of parts).
- Repair (descriptions of all recommended repair procedures including spare parts).
- Calibration.
- Troubleshooting.
- Decommissioning.
- Reference information (safety standards, unit conversions, screw joints, lists of tools).
- Spare parts list with corresponding figures (or references to separate spare parts lists).
- References to circuit diagrams.

Technical reference manuals

The technical reference manuals describe reference information for robotics products, for example lubrication, the RAPID language, and system parameters.

Application manuals

Specific applications (for example software or hardware options) are described in **Application manuals**. An application manual can describe one or several applications.

An application manual generally contains information about:

- The purpose of the application (what it does and when it is useful).
- What is included (for example cables, I/O boards, RAPID instructions, system parameters, software).
- How to install included or required hardware.
- How to use the application.

Continues on next page

- Examples of how to use the application.

Operating manuals

The operating manuals describe hands-on handling of the products. The manuals are aimed at those having first-hand operational contact with the product, that is production cell operators, programmers, and troubleshooters.

1 Definition of spare part levels

Spare part level

ABB spare parts are categorized into two levels, L1 and L2. Always check the part level before conducting a service work on a spare part.

- L1 spare parts

The L1 parts can be replaced in the field. The maintenance and replacement instructions given in the related product manuals must be strictly followed. If there are any problems, contact your local ABB for support.

- L2 spare parts

To replace the L2 parts require specialized training and might need special tools. Only ABB field service personnel or qualified personnel trained by ABB can replace L2 parts.

This page is intentionally left blank

2 Spare parts - Electrical parts

Cable harness



xx1700002261

Spare part	Article number	Note	Level
Manipulator harness, axis 1-6	3HAC061214-001		L2

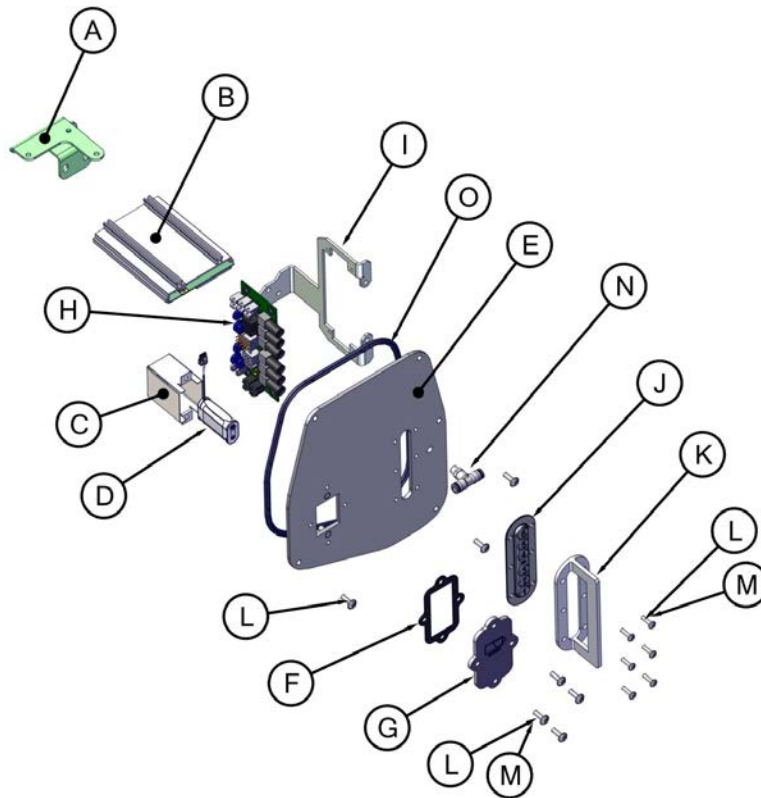
Continues on next page

2 Spare parts - Electrical parts

Continued

SMB and brake release unit

Continues on next page



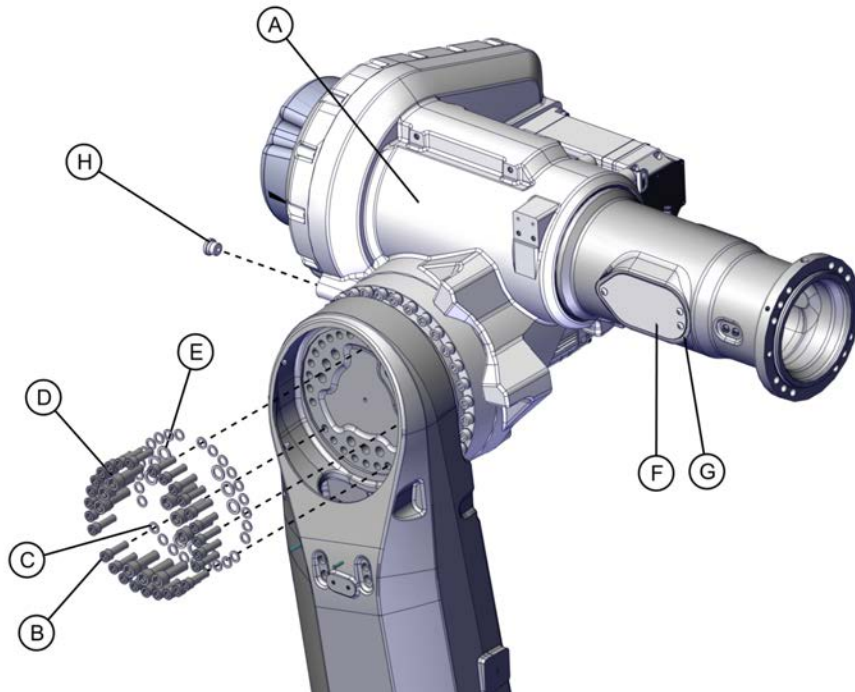
xx1700002263

	Spare part	Article number	Note	Level
A	Bracket	3HAC044073-001	RMU102	L2
B	DSQC 633C Measurement unit	3HAC043904-001		L2
C	Battery holder	3HAC044161-001		L2
D	Battery unit	3HAC044075-001	RMU	L2
E	SMB cover	3HAC070534-002		L2
F	Gasket Foundry Prime	3HAC044200-002		L2
G	Cover battery	3HAC070535-003		L2
H	Brake release unit, DSQC1052	3HAC065021-001		L2
I	Bracket	3HAC063398-001		L2
J	Gasket, Brake release unit	3HAC063398-002		L2
K	Button guard plate	3HAC026331-001		L2
L	Torx pan head screw	9ADA619-56	M6x16 Stainless steel A2-70 (15 pcs)	L2
M	Plain washer machining	3HAC069708-001	5.6x10x1 steel (10 pcs)	L2
N	T-fitting	3HAC077662-001	Replace if damaged.	L2
O	Gasket SMB-cover	3HAC044074-002		L2
P	Desiccant bag	3HAC080620-001	Not illustrated	L2

This page is intentionally left blank

3 Spare parts - Upper arm (axis 3-4)

Upper arm excluding wrist



xx1700002264

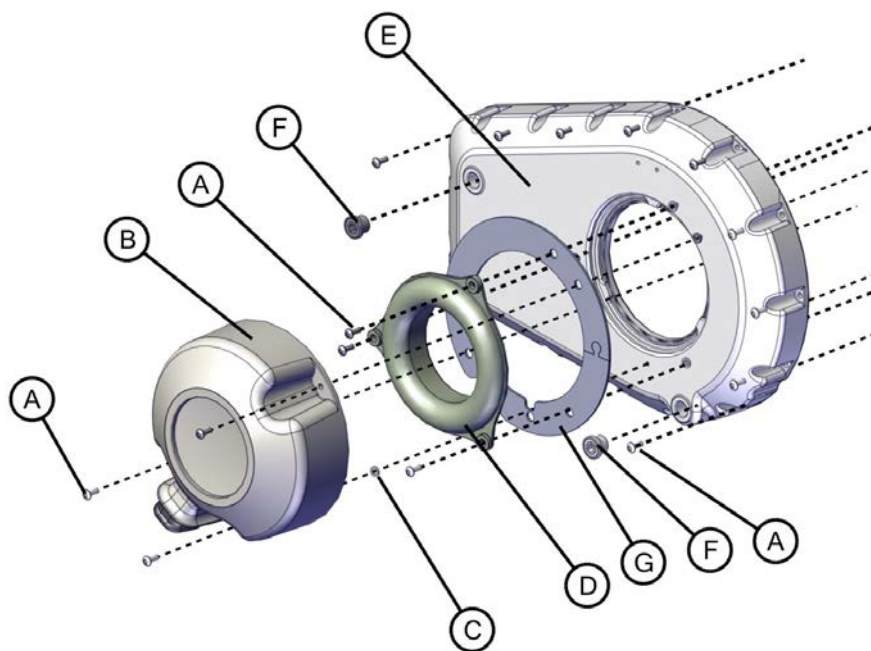
	Spare part	Article number	Note	Level
A	Upper arm excluding wrist	3HAC061005-003		L2
B	Hex socket head cap screw	3HAC060786-031	M12x40 stainless steel (27 pcs)	L2
C	Washer	3HAC060866-004	13x19x2 coated stainless steel (27 pcs)	L2
D	Hex socket head cap screw	3HAC060786-041	M16x50 stainless steel (9 pcs)	L2
E	Washer	HV200 (3HAC060866-005)	17x25x3 coated stainless steel (9 pcs)	L2
F	Cover	3HAC048648-001		L2
G	Gasket	3HAC045647-005		L2
H	Magnetic plug, G 1/2"	3HAC16721-2	Includes o-ring: 3HAC061327-059	L2

Continues on next page

3 Spare parts - Upper arm (axis 3-4)

Continued

Upper arm (axis 3-4) parts

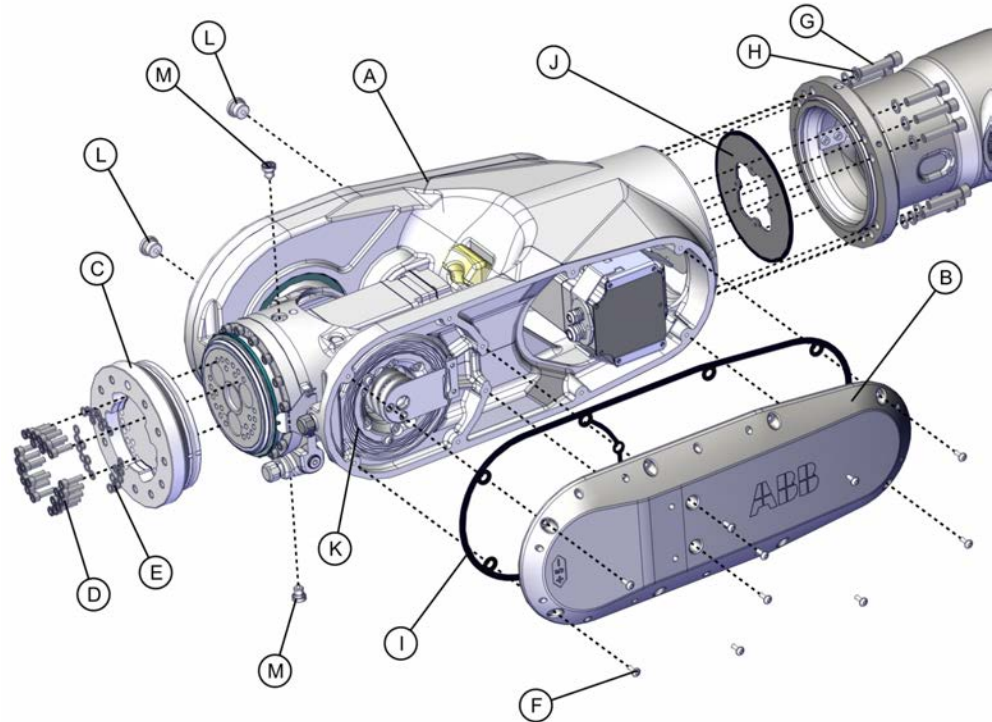


xx1700002265

	Spare part	Article number	Note	Level
A	Torx pan head screw	9ADA619-56	M6x16 Stainless steel A2-70 (21 pcs)	L2
B	Cover	3HAC049072-001		L2
C	Washer	3HAC048646-001	Alu (3 pcs)	L2
D	Cable guide	3HAC11771-1		L2
E	Cover with gasket	3HAC062234-003		L2
F	Magnetic plug, G 1/2"	3HAC16721-2	Includes o-ring: 3HAC061327-059	L2
G	Gasket	3HAC048609-002		L2

4 Spare parts - Wrist

Wrist



xx1700002285

	Spare part	Article number	Note	Level
A	Wrist	3HAC061007-003	Complete	L2
B	Harness cover axis 5	3HAC066866-002		L2
C	Turning disc RV-80N FP	3HAC062142-003		L2
D	Hex socket head cap screw	3HAC060786-010	M8x25 stainless steel (24 pcs)	L2
E	Washer	3HAC060866-001	8.4x13x1.6 stainless steel (24 pcs)	L2
F	Torx pan head screw	9ADA619-56	M6x16 Stainless steel A2-70 (10 pcs)	L2
G	Hex socket head cap screw	3HAC060786-032	M12x50 stainless steel (12 pcs)	L2
H	Washer	3HAC060866-004	13x19x2 coated stainless steel (12 pcs)	L2
I	Gasket	3HAC066808-001		L2
J	Gasket	3HAC076636-003		L2
K	Support shaft incl. bearing	3HAC061096-003		L2
L	Magnetic plug, G 1/2"	3HAC16721-2	Includes o-ring: 3HAC061327-059	L2

Continues on next page

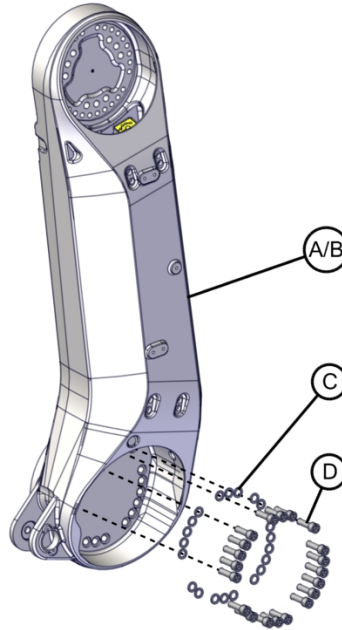
4 Spare parts - Wrist

Continued

	Spare part	Article number	Note	Level
M	Magnetic plug, G 1/4"	3HAC037925-002	Includes o-ring: 3HAC061327-060	L2

5 Spare parts - Lower arm

Lower arm



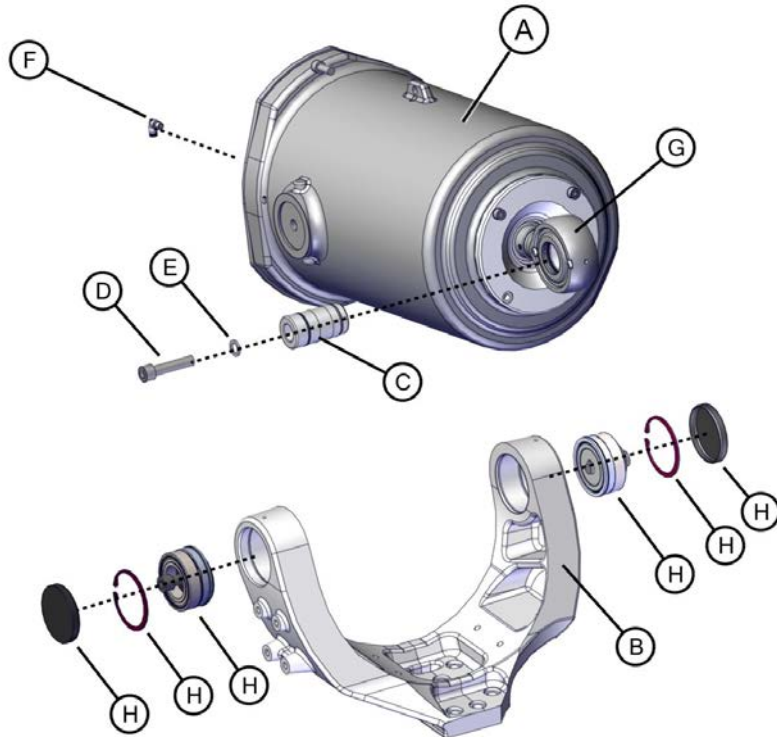
xx1700002286

	Spare part	Article number	Note	Level
A	Lower arm 235/2.65	3HAC071091-005		L2
B	Lower arm 205/2.8	3HAC071462-005		L2
C	Hex socket head cap screw	3HAC060786-041	M16x50 stainless steel (21 pcs)	L2
D	Washer	HV200 (3HAC060866-005)	17x25x3 coated stainless steel (21 pcs)	L2

This page is intentionally left blank

6 Spare parts - Balancing device

Balancing device



xx170002301

	Spare part	Article number	Note	Level
A	Balancing device	3HAC061010-002		L2
B	Cradle	3HAC060514-003		L2
C	Shaft	3HAC044036-002		L2
D	Hex socket head cap screw	3HAC060786-043	M16x70 stainless steel (1 pcs)	L2
E	Washer	3HAC060866-003	13x17x2 stainless steel (1 pcs)	L2
F	L-fitting	3HAC061987-001	Replace if damaged.	L2
G	Maintenance set piston	3HAC063340-001		L2
H	Maintenance set cradle	3HAC064403-001	The maintenance set contains all necessary parts to replace the bearings, including VK covers. 3HAA2166-36 (2 pcs).	L2

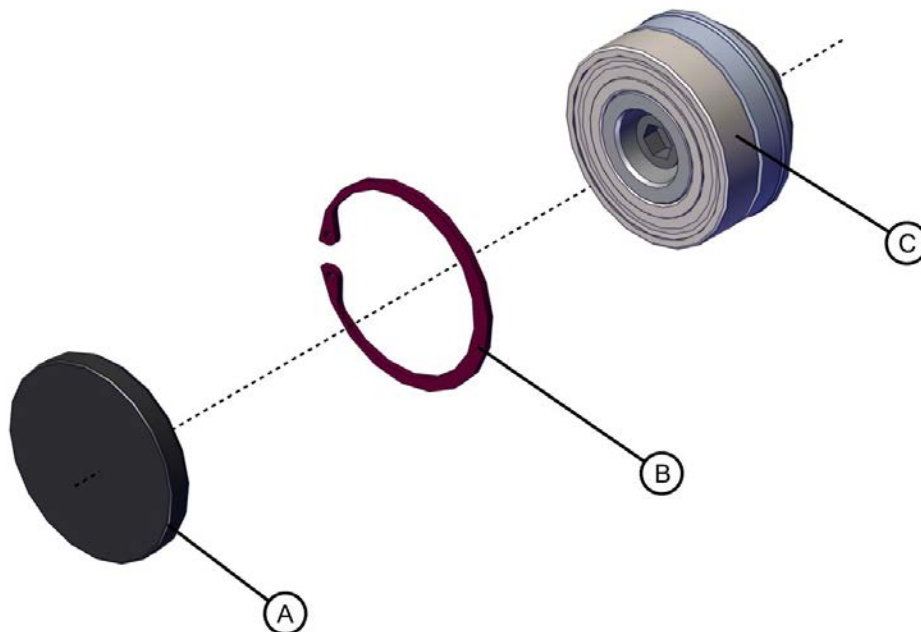
Continues on next page

6 Spare parts - Balancing device

Continued

Balancing device material set

Maintenance set cradle

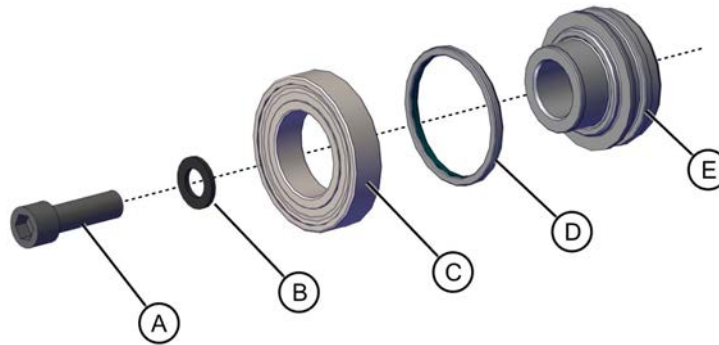


xx1700002309

	Spare part	Article number	Note	Level
A	VK cover, 90x12	3HAA2166-36	VK covers can be ordered separately	L2
B	Retaining ring	9ABA137-33	Retaining ring can be ordered separately	L2
C	Groove ball bearing unit	3HAC062243-003	Groove ball bearing unit can be ordered separately	L2

Continues on next page

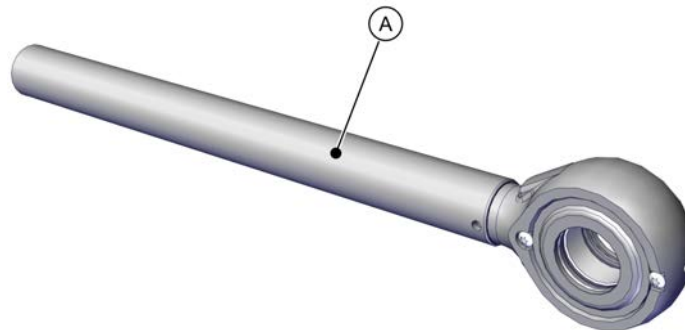
Groove ball bearing unit



xx2100001832

	Spare part	Article number	Note	Level
A	Hex socket head cap screw		(Included) M16x50 12.9 Gleitmo 603+Geomet 500(1 pcs)	L2
B	Washer		(Included) 17x30x3 (1 pcs)	L2
C	Groove ball bearing	3HAB3643-49		L2
D	Turcon Roto VL seal	3HAC060655-005		L2
E	Shaft end	3HAC044118-001		L2

Maintenance set piston



xx2100001953

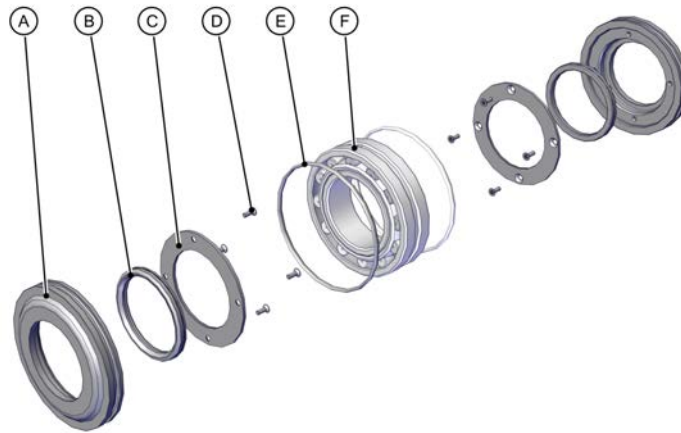
	Spare part	Article number	Note	Level
A	Maintenance set piston	3HAC063340-001		L2

Continues on next page

6 Spare parts - Balancing device

Continued

Maintenance set spherical roller bearing

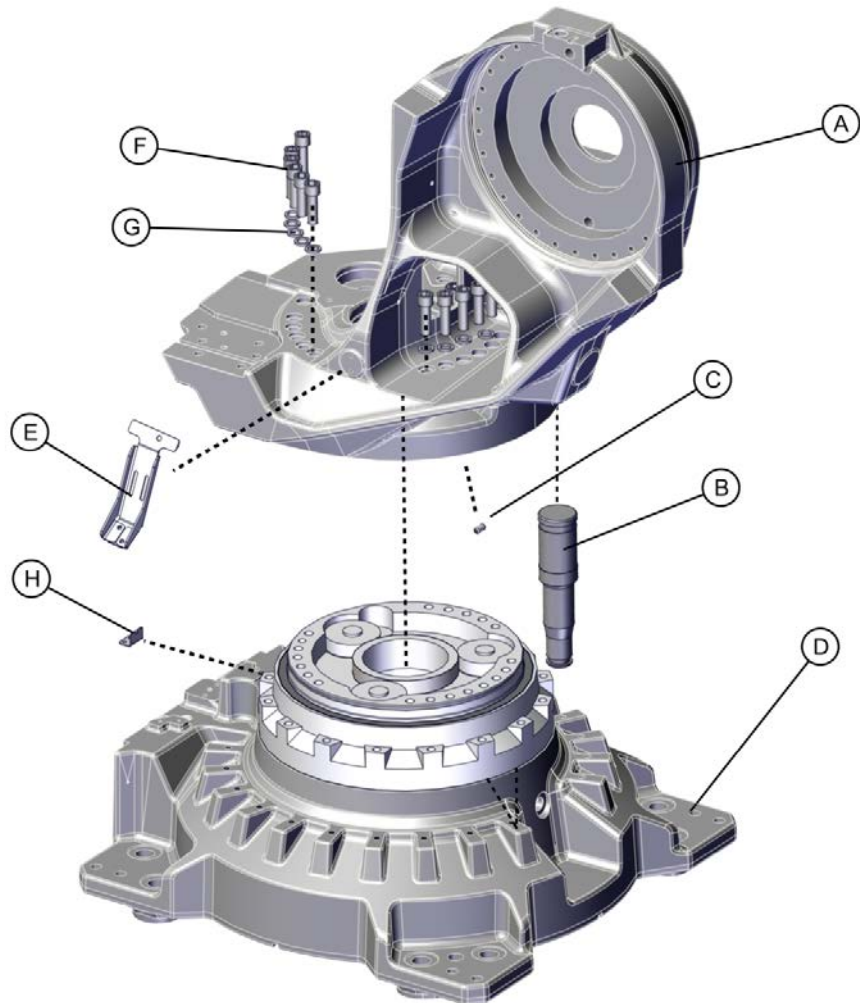


xx1700002310

	Spare part	Article number	Note	Level
	Spherical roller bearing kit	3HAC064119-001	The maintenance kit contains bearing grease and Loctite.	L2
A	End cover	3HAC068814-001		L2
B	Turcon roto VL seal	3HAC060656-001		L2
C	Washer	3HAC068817-001		L2
D	Torx countersunk head screw	3HAC14286-3	M3x8	L2
E	O-ring	3HAB3772-121		L2
F	Spherical roller bearing	3HAC2167-23		L2

7 Spare parts - Frame and base

Frame and base

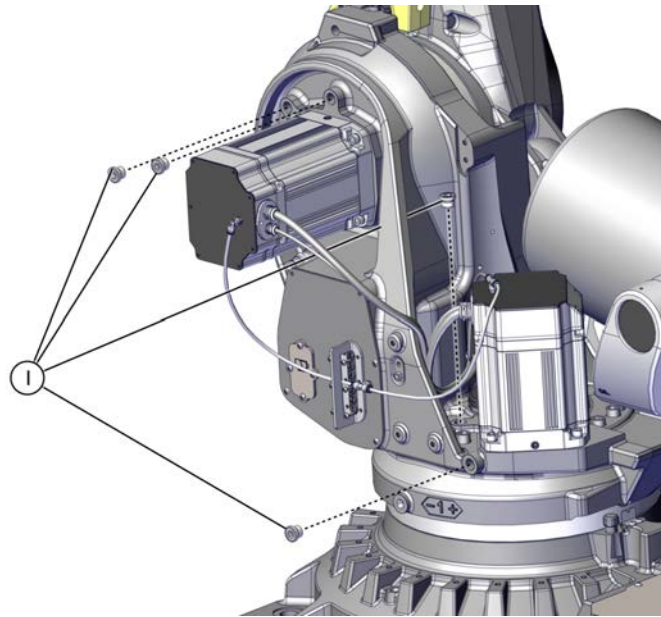


xx1700002311

Continues on next page

7 Spare parts - Frame and base

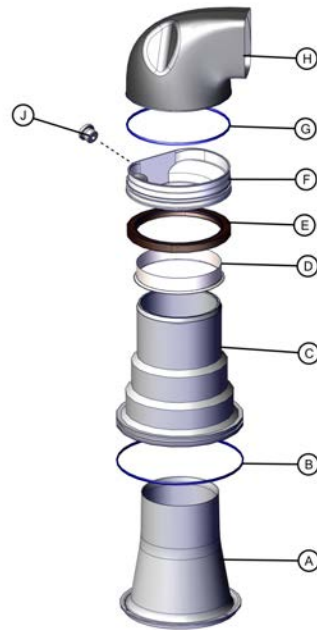
Continued



xx220000554

	Spare part	Article number	Note	Level
A	Frame	3HAC071031-005		L2
B	Stop pin axis-1	3HAC024014-001		L2
C	Hex socket screw with cup	9ADJ400914P1259	M10x20 Stainless Steel (1 pcs)	L2
D	Base	3HAC071086-005		L2
E	Metal compression clamp frame	3HAC043876-001		L2
F	Hex socket head cap screw	3HAC060786-041	M16x50 stainless steel (16 pcs)	L2
G	Washer	HV200 (3HAC060866-005)	17x25x3 coated stainless steel (16 pcs)	L2
H	Sync plate axis 1	3HAC043983-001		L2
I	Magnetic plug, G 1/2"	3HAC16721-2	Includes o-ring: 3HAC061327-059	L2

Continues on next page

Harness tube in frame


xx1700002312

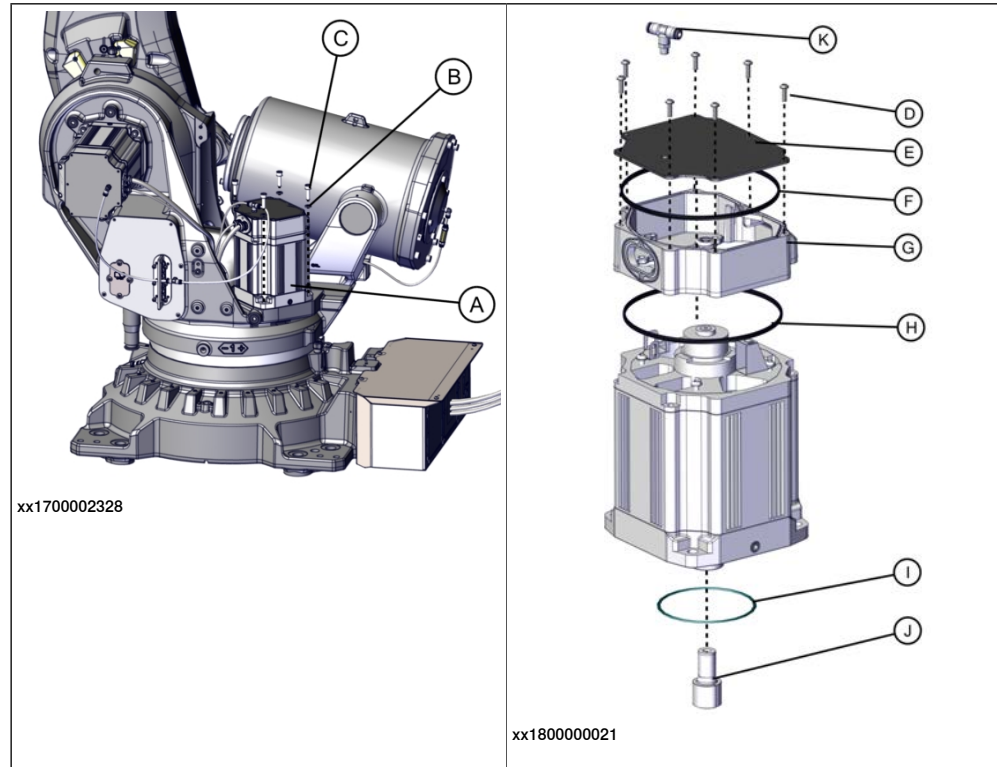
	Spare part	Article number	Note	Level
A	Protection tube	3HAC042961-001		L2
B	O-ring	3HAB3772-150		L2
C	Sealing tube	3HAC061119-001		L2
D	Sleeve for RV-320CA	3HAC037228-006		L2
E	Radial sealing with dust lip	3HAB3701-58		L2
F	Protection ring	3HAC060671-001		L2
G	O-ring	3HAB3772-58		L2
H	Cable protection	3HAC061842-001		L2
I	Hose clamp	3HAC066505-001		L2
J	Magnetic plug, G 1/2"	3HAC16721-2	Includes o-ring: 3HAC061327-059	L2

This page is intentionally left blank

8 Spare parts - Motors

8.1 Axis-1 motor (including pinion)

Axis-1 motor



	Spare part	Article number	Note	Level
A	Motor including pinion	3HAC061642-003		L2
B	Washer	3HAC060866-003	13x17x2 stainless steel (4 pcs)	L2
C	Hex socket head cap screw	3HAC060786-020	M10x30 stainless steel (4 pcs)	L2
D	Torx pan head screw	9ADA619-44	M5x12 Stainless steel A2-70 (7 pcs)	L2
E	Cover, motor	3HAC029303-009		L2
F	O-ring	3HAC067762-001		L2
G	Connection box FS 180	3HAC061060-001		L2
H	O-ring	3HAC067762-001		L2
I	O-ring	3HAB3772-107		L2
J	Pinion	3HAC043071-002	This is a pressed pinion. ⁱ	L2
K	T-fitting	3HAC077662-001	Replace if damaged.	L2

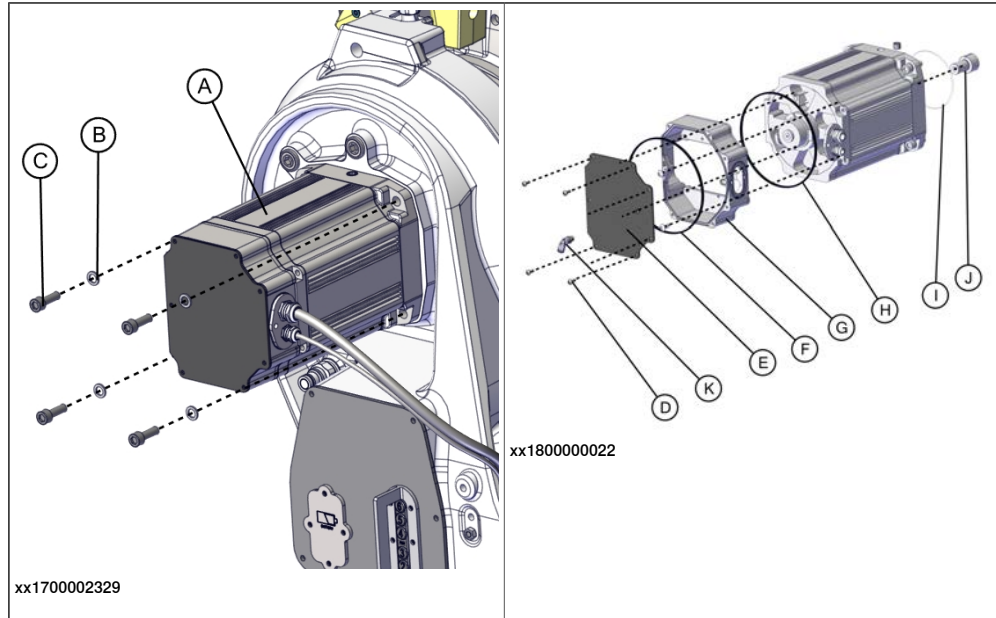
ⁱ Repair shall be performed only by authorized work shops.

8 Spare parts - Motors

8.2 Axis-2 motor (including pinion)

8.2 Axis-2 motor (including pinion)

Axis-2 motor

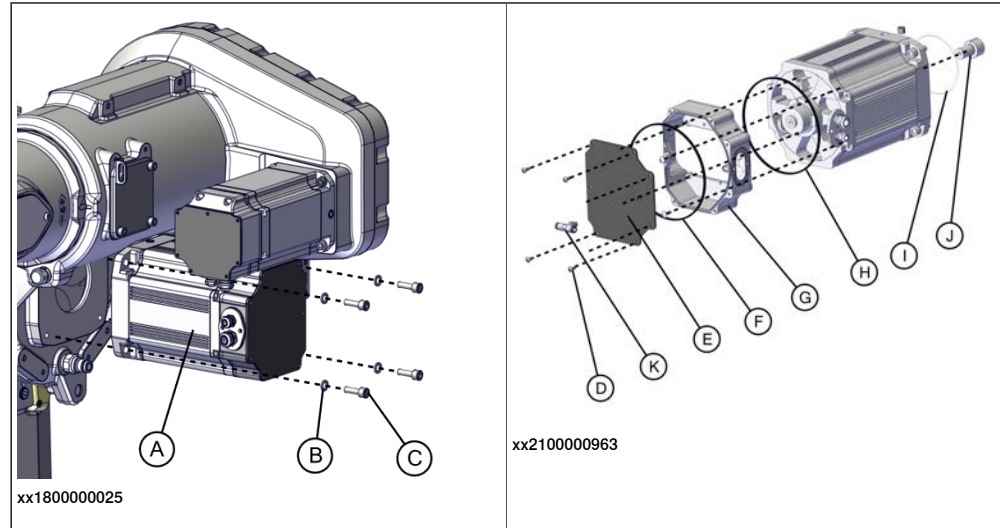


	Spare part	Article number	Note	Level
A	Motor including pinion	3HAC061643-003		L2
B	Washer	3HAC060866-003	13x17x2 stainless steel (4 pcs)	L2
C	Hex socket head cap screw	3HAC060786-020	M10x30 stainless steel (4 pcs)	L2
D	Torx pan head screw	9ADA619-44	M5x12 Stainless steel A2-70 (7 pcs)	L2
E	Cover, motor	3HAC029303-007		L2
F	O-ring	3HAC067762-001		L2
G	Connection box FS 180	3HAC061060-001		L2
H	O-ring	3HAC067762-001		L2
I	O-ring	3HAB3772-107		L2
J	Pinion	3HAC043072-002	This is a pressed pinion. ⁱ	L2
K	L-fitting	3HAC061987-001	Replace if damaged.	L2

ⁱ Repair shall be performed only by authorized work shops.

8.3 Axis-3 motor (including pinion)

Axis-3 motor



	Spare part	Article number	Note	Level
A	Motor including pinion	3HAC061644-003		L2
B	Washer	3HAC060866-003	13x17x2 stainless steel (4 pcs)	L2
C	Hex socket head cap screw	3HAC060786-020	M10x30 stainless steel (4 pcs)	L2
D	Torx pan head screw	9ADA619-44	M5x12 Stainless steel A2-70 (7 pcs)	L2
E	Cover, motor	3HAC029303-007		L2
F	O-ring	3HAC067762-001		L2
G	Connection box FS 180	3HAC061060-001		L2
H	O-ring	3HAC067762-001		L2
I	O-ring	3HAB3772-107		L2
J	Pinion	3HAC043072-002	This is a pressed pinion. ⁱ	L2
K	T-fitting	3HAC077662-001	Replace if damaged.	L2

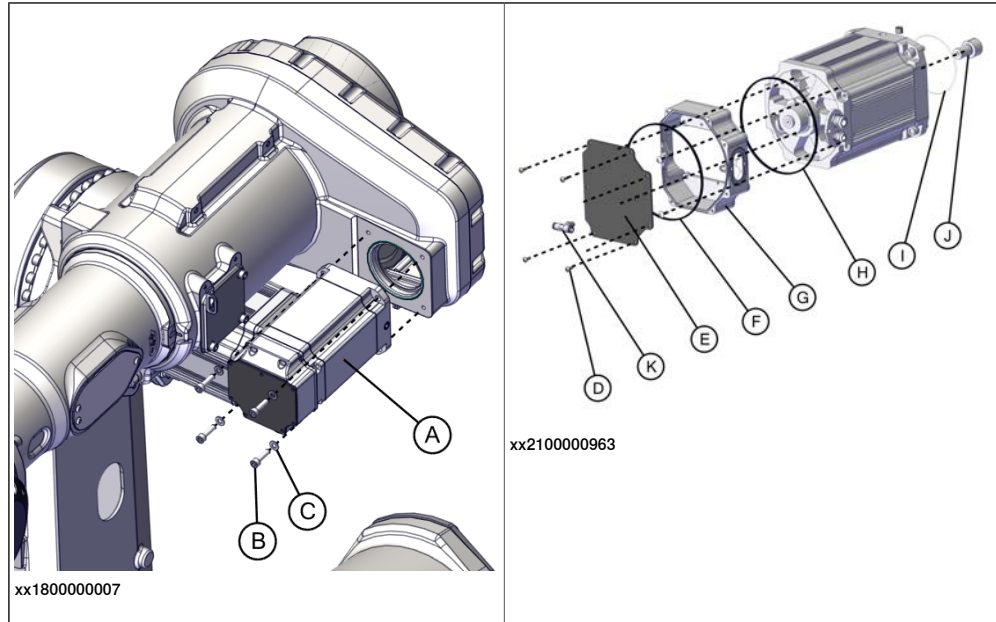
ⁱ Repair shall be performed only by authorized work shops.

8 Spare parts - Motors

8.4 Axis-4 motor (including pinion)

8.4 Axis-4 motor (including pinion)

Axis-4 motor

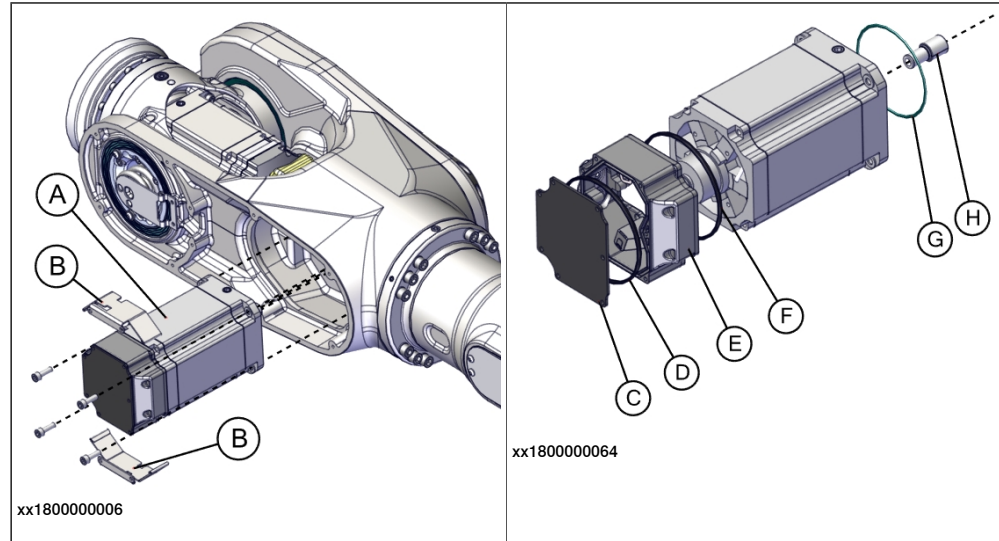


	Spare part	Article number	Note	Level
A	Motor including pinion	3HAC061645-003		L2
B	Hex socket head cap screw	3HAC060786-011	M8x30 stainless steel (4 pcs)	L2
C	Washer	3HAC060866-002	8.4x16x1.6 stainless steel (4 pcs)	L2
D	Torx pan head screw	9ADA619-44	M5x12 Stainless steel A2-70 (7 pcs)	L2
E	Cover, motor	3HAC029302-009		L2
F	O-ring	3HAC067744-001		L2
G	Connection box FS 130	3HAC061059-001		L2
H	O-ring	3HAC067744-001		L2
I	O-ring	3HAB3772-107		L2
J	Pinion	3HAC041348-001	This is a pressed pinion. ⁱ	L2
K	T-fitting	3HAC077662-001	Replace if damaged.	L2

ⁱ Repair shall be performed only by authorized work shops.

8.5 Axis-5 motor (including pinion)

Axis-5 motor



	Spare part	Article number	Note	Level
A	Motor including pinion	3HAC063563-003		L2
B	Heat protection plate	3HAC052332-001		L2
C	Cover, motor	3HAC029302-001		L2
D	O-ring	3HAC067744-001		L2
E	Connection box FS 130	3HAC054659-001		L2
F	O-ring	3HAC067744-001		L2
G	O-ring	3HAB3772-107		L2
H	Pinion	3HAC041348-001	This is a pressed pinion. ⁱ	L2

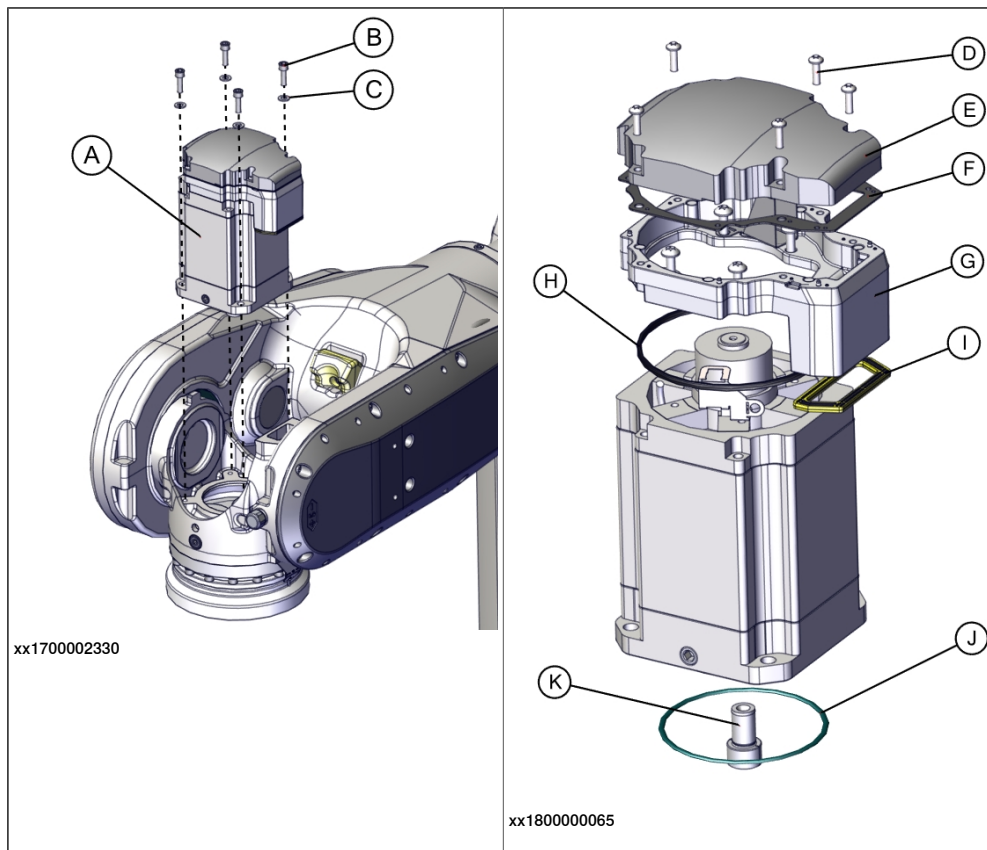
ⁱ Repair shall be performed only by authorized work shops.

8 Spare parts - Motors

8.6 Axis-6 motor (including pinion)

8.6 Axis-6 motor (including pinion)

Axis-6 motor



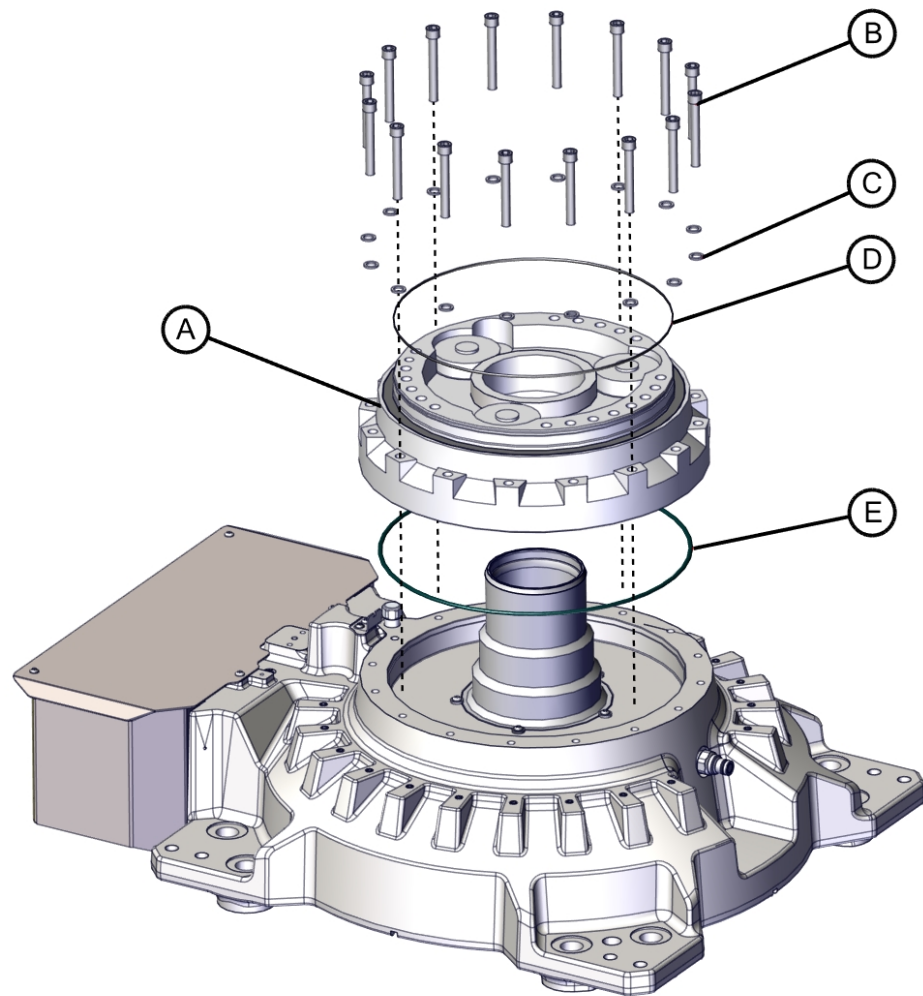
	Spare part	Article number	Note	Level
A	Motor including pinion	3HAC061646-003		L2
B	Hex socket head cap screw	3HAC060786-010	M8x25 stainless steel (4 pcs)	L2
C	Washer	3HAC060866-001	8.4x13x1.6 stainless steel (4 pcs)	L2
D	Torx pan head screw	9ADA619-45	M5x16 Stainless steel A2-70 (5 pcs)	L2
E	Cover, motor	3HAC061062-003		L2
F	Gasket	3HAC033489-002		L2
G	Connection box	3HAC061061-001		L2
H	O-ring	3HAC067744-001		L2
I	Gasket	3HAC048560-001		L2
J	O-ring	3HAB3772-107		L2
K	Pinion	3HAC043074-002	This is a pressed pinion. ⁱ	L2

ⁱ Repair shall be performed only by authorized work shops.

9 Spare parts - Gearboxes

9.1 Gearbox axis-1

Gearbox



xx1700002247

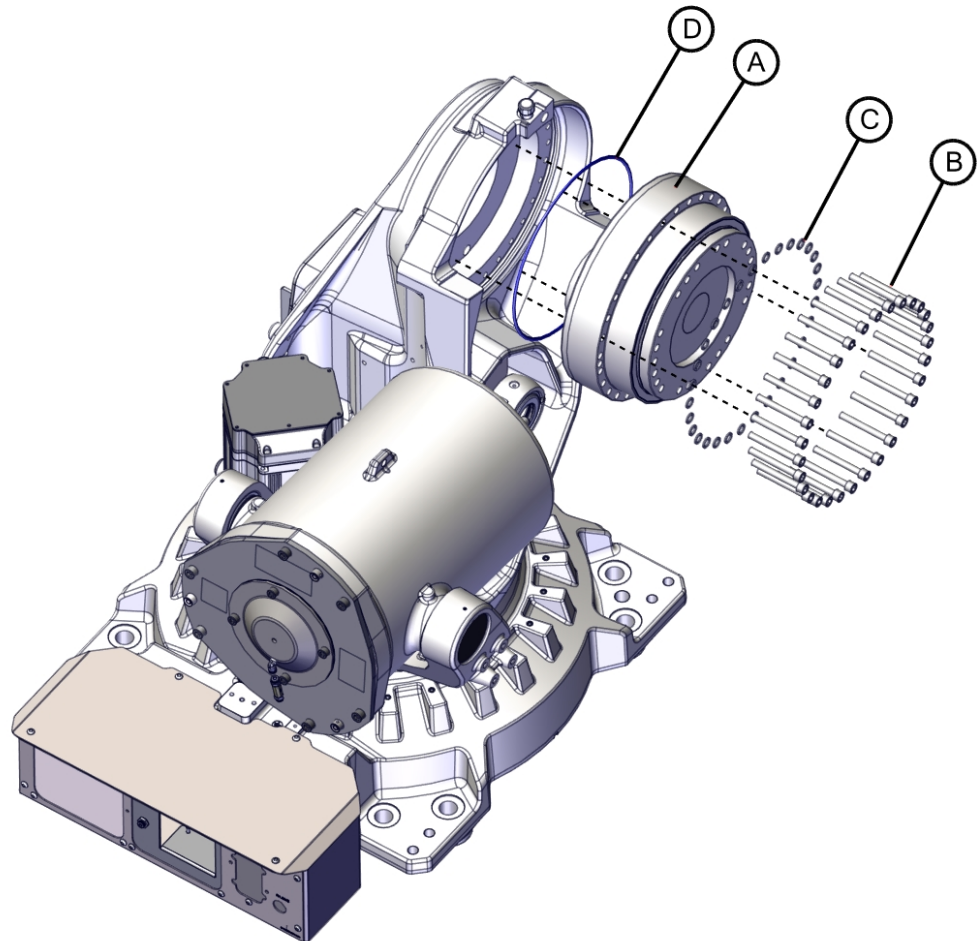
	Spare part	Article number	Note	Level
A	Gear RV-320CA-193.84	3HAC060247-002		L2
B	Hex socket head cap screw	3HAC060786-036	M12x90 stainless steel (16 pcs)	L2
C	Washer	3HAC060866-004	13x19x2 coated stainless steel (16 pcs)	L2
D	O-ring	3HAB3772-164		L2
E	O-ring	3HAC061327-002		L2

9 Spare parts - Gearboxes

9.2 Gearbox axis-2

9.2 Gearbox axis-2

Gearbox

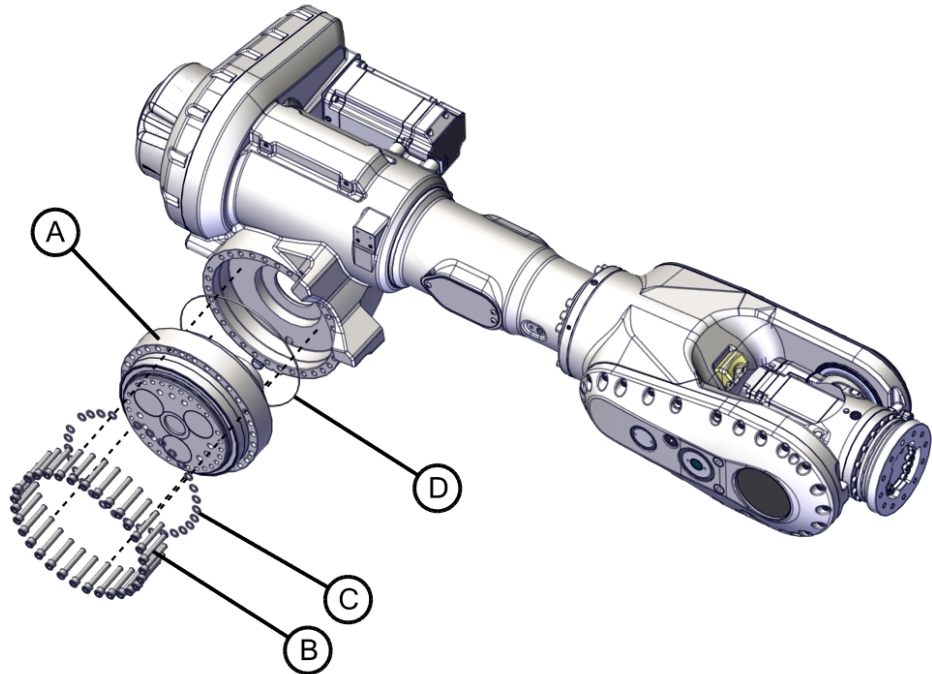


xx1700002248

	Spare part	Article number	Note	Level
A	Gear RV-550N-252.33	3HAC060248-002		L2
B	Hex socket head cap screw	3HAC060786-036	M12x90 stainless steel (30 pcs)	L2
C	Washer	3HAC060866-004	13x19x2 coated stainless steel (30 pcs)	L2
D	O-ring	3HAB3772-48		L2

9.3 Gearbox axis-3

Gearbox



xx1700002249

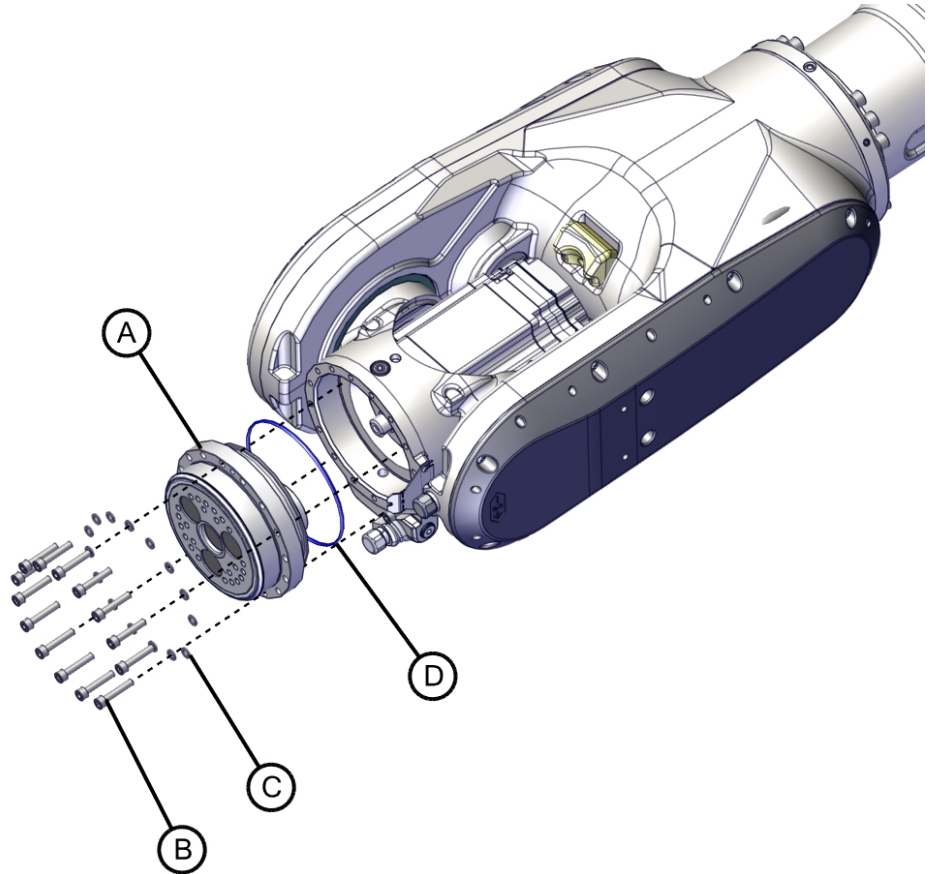
	Spare part	Article number	Note	Level
A	Gear RV-500N	3HAC060249-002		L2
B	Hex socket head cap screw	3HAC060786-034	M12x70 stainless steel (31 pcs)	L2
C	Washer	3HAC060866-004	13x19x2 coated stainless steel (31 pcs)	L2
D	O-ring	3HAB3772-150		L2

9 Spare parts - Gearboxes

9.4 Gearbox axis-6

9.4 Gearbox axis-6

Gearbox

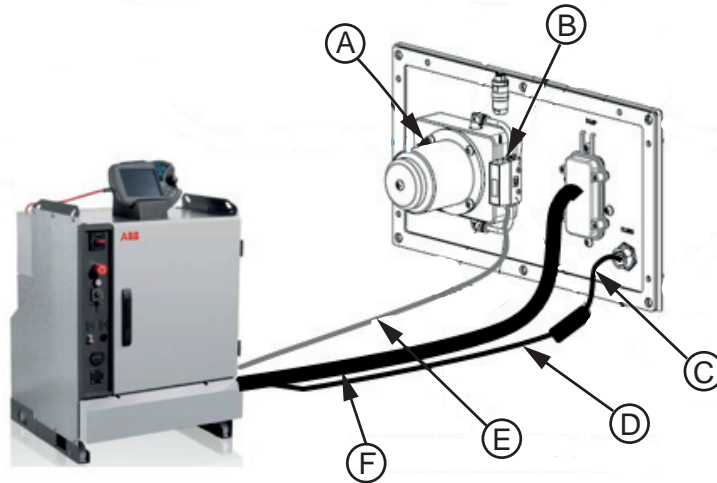


xx1700002250

	Spare part	Article number	Note	Level
A	Gear RV-80N-129	3HAC063458-003		L2
B	Hex socket head cap screw	3HAC060786-013	M8x40 stainless steel (16 pcs)	L2
C	Washer	3HAC060866-001	8.4x13x1.6 stainless steel (16 pcs)	L2
D	O-ring	3HAB3772-58		L2

10 Spare parts - Over pressure unit/Interface plate

Over pressure unit



xx1800002569

	Spare part	Article number	Note	Level
A	Over pressure unit	3HAC067922-001		L2
B	Flow sensor	3HAC061989-001		L2
C	Adapter cable, signal	3HAC066535-001	Used between the interface plate and the controller cable power (to the controller).	L2
D	Robot cable, signal		Available in different lengths.	L2
E	Flow sensor cable	3HAC068301-001		L2
F	Robot cable, power	3HAC063487 3HAC063488 3HAC063489		L2

This page is intentionally left blank

11 Spare parts - Calibration items

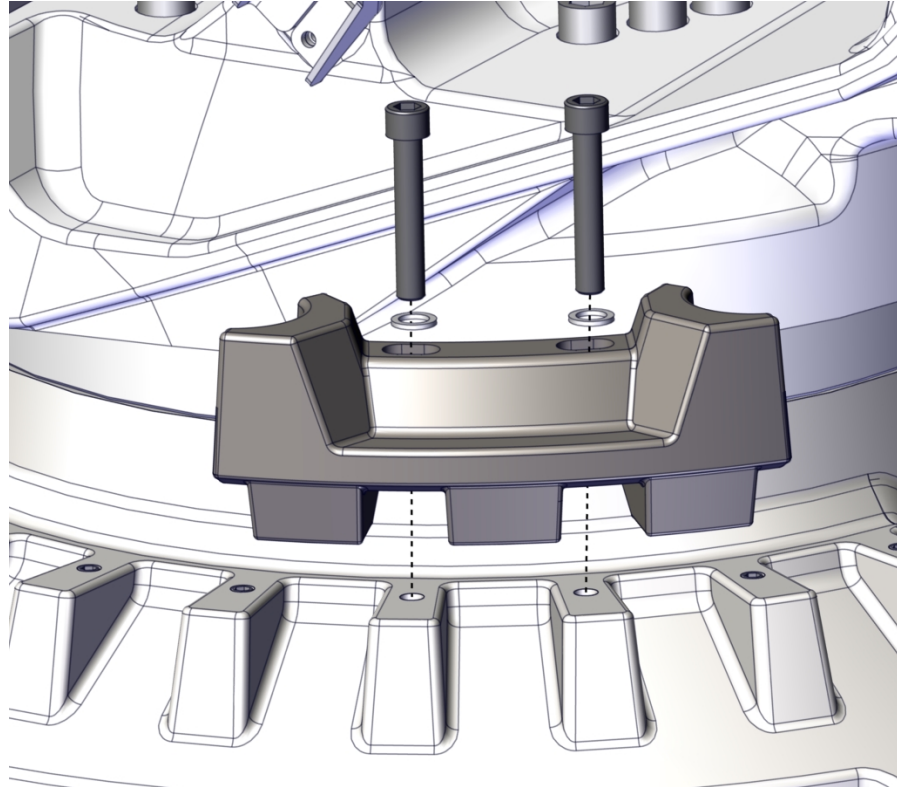
Calibration items

Spare part	Article number	Note	Level
Protection cover and plug set	3HAC064875-001	Contains replacement calibration pin covers and protective plugs for the bushing.	L2

This page is intentionally left blank

12 Spare parts - Options

Mechanical stop



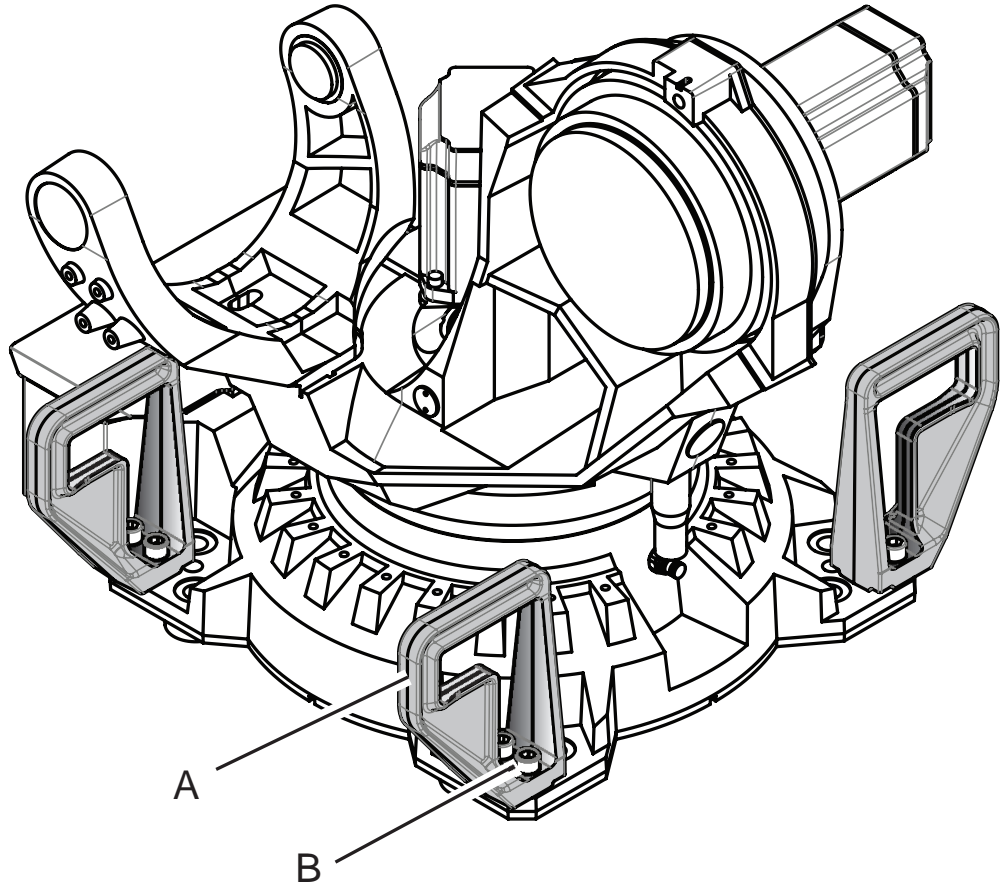
xx180000048

	Spare part	Article number	Note	Level
A	Movable mechanical stop set axis 1	3HAC064612-001	Includes screws, washers and documentation	L2
	Hex socket head cap screw (4 pcs)		M12x70 stainless steel	L2
	Washer (4 pcs)		13x19x2 coated stainless steel	L2
	Mechanical stop (2 pcs)			L2

Continues on next page

Continued

Fork lift accessory



xx1300001602

	Spare part	Article number	Note	Level
A	Fork lift accessory set	3HAC047054-003	Contains fork lift pockets and all required hardware for installation. User instructions are enclosed with the tool, see Directions for use - Fork lift accessory for IRB 6700.	L2

13 Service and wear parts

13.1 Service parts

List of service parts

This table specifies required service parts for installation and service. Detailed information about usage of service parts is found in the *Product manual - IRB 6790 Foundry Prime* under the headings consumables.

Description	Spare part number	Note
Rust preventive	3HAC034903-001	Mercasol 3110 Waxcoat. Recommended drying time is 24h.
Locking liquid	-	Loctite 2400 (or equivalent Loctite 243)
Activator	3HAC074342-001	Loctite 7091
Flange sealant for conical fittings	-	Loctite 5400 (or equivalent Loctite 577)
Flange sealant	-	Loctite 574
Grease	3HAA1001-294	Tribol GR 100-0 PD
Grease	3HAC042536-001	Shell Gadus S2
O-ring	3HAC067762-001	Used on axis-1 motor cover
O-ring	3HAC067762-001	Used on axis-2 motor cover
O-ring	3HAC067762-001	Used on axis-3 motor cover
O-ring	3HAC067744-001	Used on axis-4 motor cover
O-ring	3HAC067744-001	Used on axis-5 motor cover
O-ring	3HAC067744-001	Used on axis-6 motor cover
O-ring	3HAB3772-107	Used on axis-1 motor cover Used on axis-2 motor cover Used on axis-3 motor cover Used on axis-4 motor cover Used on axis-6 motor cover
O-ring	3HAB3772-58	Used on axis-1 motor cover Used on axis-2 motor cover Used on axis-6 motor cover
O-ring	3HAC061327-002	
O-ring	3HAC054692-002	
O-ring	3HAB3772-164	
VK cover, 90x12	3HAA2166-36	VK covers can be ordered separately
Gasket	3HAC033489-002	Used on axis-6 motor cover.
O-ring, G 1/2"	3HAC061327-059	Used on oil plug on axes 1, 2, 3, 4 and 5.
O-ring, G 1/4"	3HAC061327-060	Used on oil plug on axis 6.

Continues on next page

13 Service and wear parts

13.1 Service parts

Continued

Description	Spare part number	Note
Velcro strap	3HAC12625-1	

13.2 Wear parts**List of wear parts**

Expected component life of following wear parts are specified in *Product manual - IRB 6790 Foundry Prime*.

Description	Article part number	Note
Desiccant bag	3HAC080620-001	Not illustrated
Battery unit	3HAC044075-001	RMU

13 Service and wear parts

13.3 Consumables

13.3 Consumables

List of consumables

This table specifies required consumables for installation and service. Detailed information about usage of consumables is found in *Product manual - IRB 6790 Foundry Prime*.

Description	Spare part number	Note
Lubricating oil for gearboxes		See <i>Technical reference manual - Lubrication in gearboxes</i> .
Touch up paint kit		3HAC035355-001



ABB AB

Robotics & Discrete Automation

S-721 68 VÄSTERÅS, Sweden

Telephone +46 10-732 50 00

ABB AS

Robotics & Discrete Automation

Nordlysvegen 7, N-4340 BRYNE, Norway

Box 265, N-4349 BRYNE, Norway

Telephone: +47 22 87 2000

ABB Engineering (Shanghai) Ltd.

Robotics & Discrete Automation

No. 4528 Kangxin Highway

PuDong New District

SHANGHAI 201319, China

Telephone: +86 21 6105 6666

ABB Inc.

Robotics & Discrete Automation

1250 Brown Road

Auburn Hills, MI 48326

USA

Telephone: +1 248 391 9000

abb.com/robotics